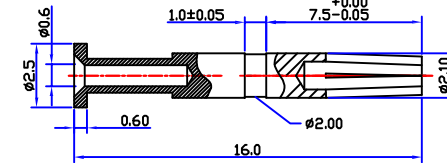
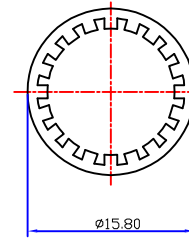
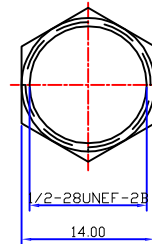
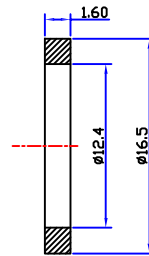
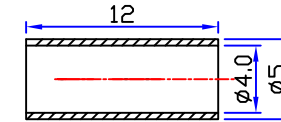
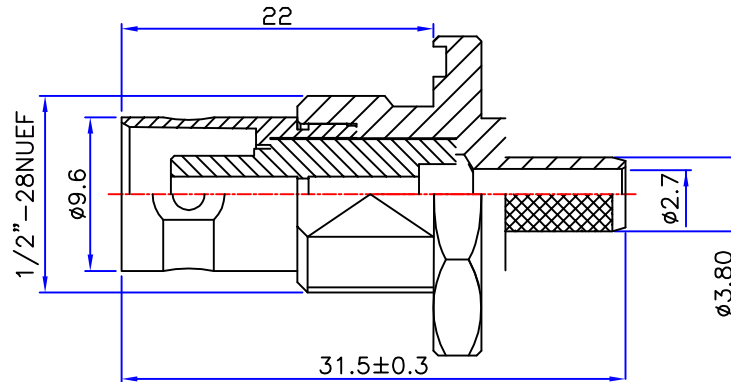
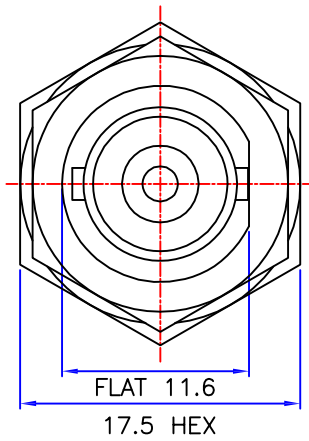




Product NO.	RHT-610-0068			
REV	DESCRIPTION	DWN	DATE	APPROVEN
A	First issue	Gavin	2017/11/29	John kine



**Specification:**

Impedance: 50. Ohms  
 VSWR: 1.3MAX  
 Frequency range: DC~4G  
 Working Voltage: 500V rms @ sea level  
 Insulation resistance: 5000 Ohms min  
 Temperature range: -55°C TO +155°C  
 Relative temperature: ≤95%(40° C±2° C)  
 Drawings products are in line with ROHS standards .

E	GASKET	TE	NICKEL	1
D	NUT	BRASS	NICKEL	1
C	INSULATOR	TEFLON	NONE	1
B	CONTACT PLATING	BRASS	GOLD	1
A	BODY	BRASS	NICKEL	1
NO	DESCRIPTION	MATERIAL	FINISHED	QTY

-TOLERANCES- UNLESS OTHERWISE SPECIFIED	<b>RENHOTEC GROUP</b> <a href="http://www.renhotec.com">www.renhotec.com</a>	
	PART DESCRIPTION: BNC CONNECTOR FOR CABLE	
UNLESS OTHERWISE SPECIFIED TOLERANCES FOR MILLIMETERS ARE: 0.5 - 8mm ± 0.20mm 8 - 30mm ± 0.40mm 30 - 120mm ± 0.50mm	Appd: JIM.KING	P/N: RHT-610-0068
	Check:	Date: 2017.11.29
	Draw: Gavin	Scale: Free Unit: MM Type: Z Page: 1/1